

L29

系列射频同轴连接器
SERIES MCX RF COAXIAL CONNECTORS

L29 (7/16) 系列产品是按照IEC169—4, CECC22230和DIN47223的相关要求生产的一种较大型螺纹同轴连接器, 具有坚固稳定, 低损耗, 工作电压高等特点, 且大部分具有防水结构, 可用于户外作业为中, 高能量传输的连接器, 广泛用于微波传输和移动通信系统中。

Series L29 RF coaxial connectors are one kind of large screw-coupling RF coaxial connectors which developed according to the specification of IEC 169, CECC 22230 and DIN 47223. The characteristics are tightness, stabilization, less wastage and high voltage rating etc. They are water-proof for high energy transfers out-of-doors. They are mostly used in communication systems and radio transceivers.



L29

系列射频同轴连接器
SERIES MCX RF.COAXIAL CONNECTORS

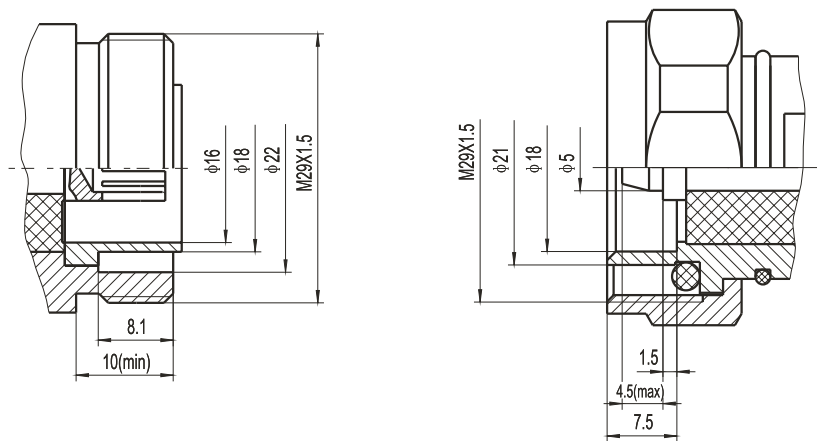
主要技术特性

KEY PERFORMANCE

温度范围 Temperature range	-65~+155℃	绝缘电阻 Insulation resistance	≥5000MΩ	
特性阻抗 Characteristic Impedance	50 Ω	耐压 Withstanding voltage	4000V(rms)	
频率范围 Frequency range	DC~7.5GHz	电压驻波比 VSWR	直式 Straight	≤1.25
工作电压 Voltage rating	2700V(rms)		弯式 Right angle	≤1.40
接触电阻 Contact resistance	中心导体 Center conductor	寿命 Durability		500 Cycles
	外导体 Outer conductor			

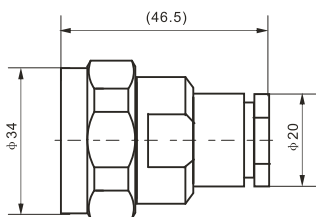
头部配合尺寸

INTERFACE MATING DIMENSIONS

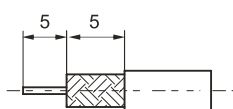




L29-J7



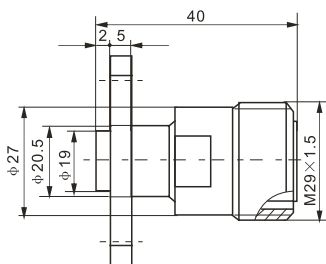
电缆剥线尺寸



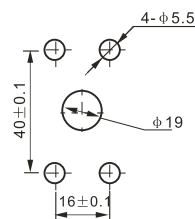
Type	Cable Type
L29-J7	SYV-50-7-1



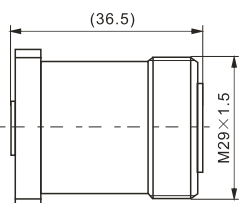
L29-50KFD1



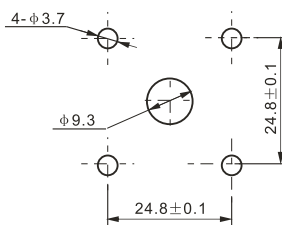
建议安装开孔尺寸



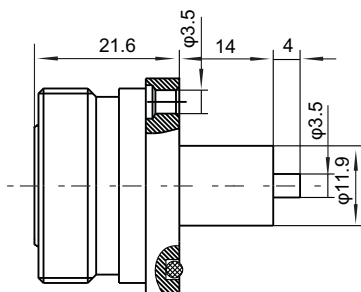
L29-50KFDG



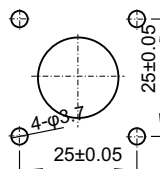
建议安装开孔尺寸



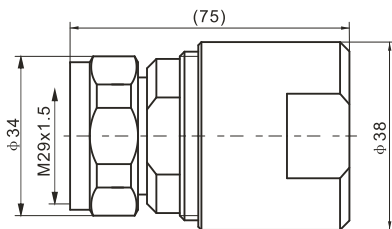
L29-KFD2



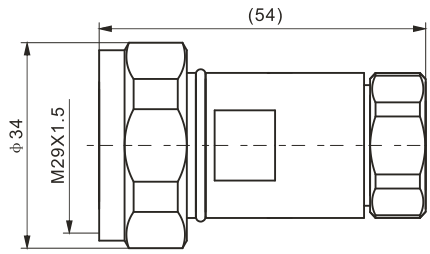
安装开孔尺寸



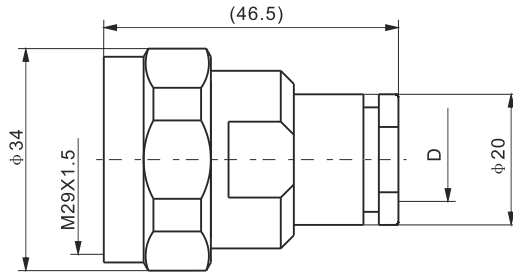
L29-J38、L29-J38G



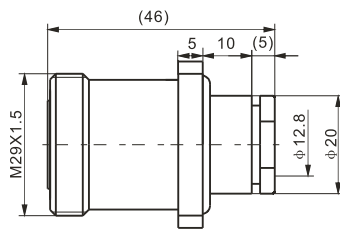
Cable type: SFCG-50-23



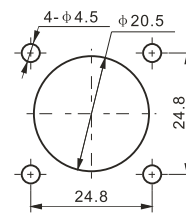
Cable type: FSJ4-50B



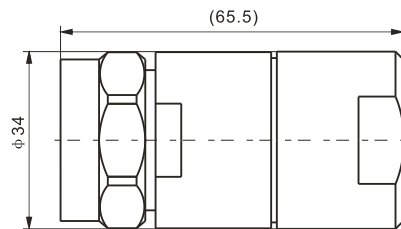
L29-J7	Cabletype:SYV-50-7-1	D=φ10.5
L29-J9	Cabletype:SYV-50-9	D=φ12.8



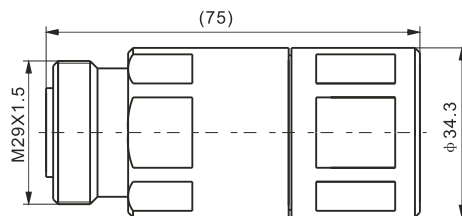
建议安装开孔尺寸



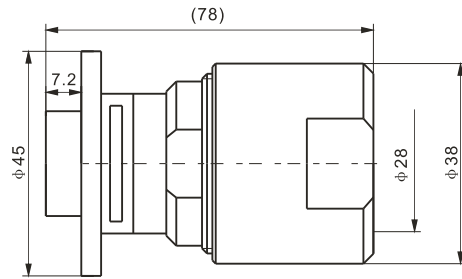
Cable type: SYV-50-9



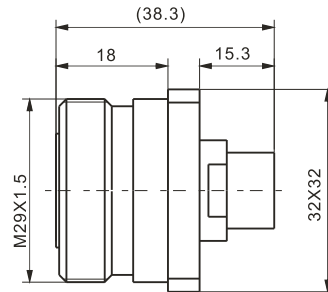
Cable type: LDF5 内导体连接方式为插接式



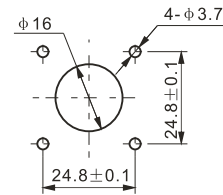
Cable type: LDF5 内导体连接方式为插接式



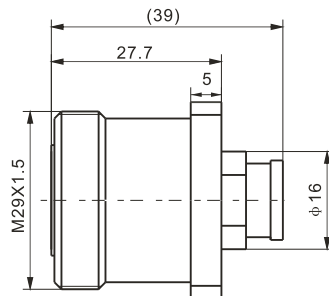
Cable type: SFCG-50-23



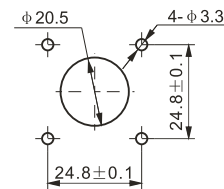
建议安装开孔尺寸



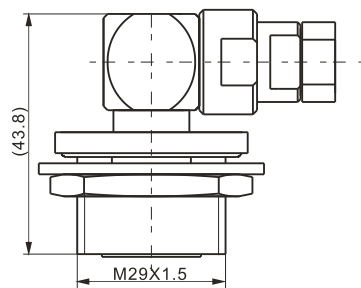
Cable type: FSJ2-50



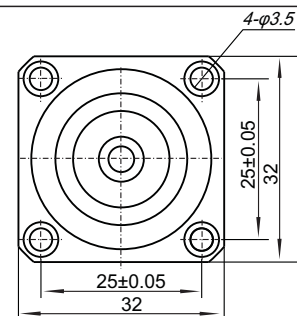
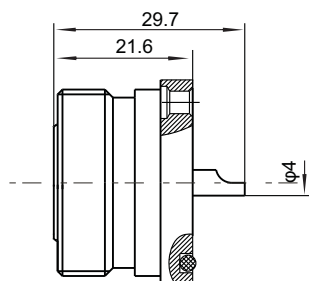
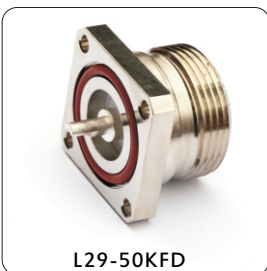
建议安装开孔尺寸




Cable type: FSJ1-50A

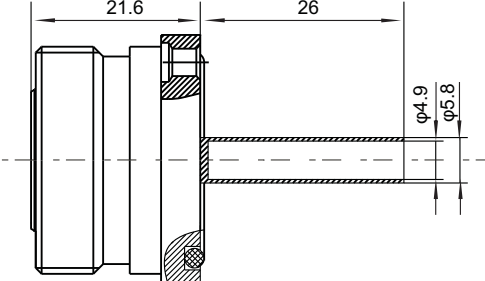


Cable type: FSJ1-50A

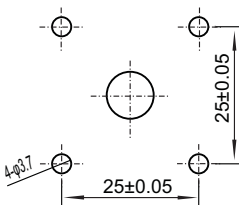





L29-50KFD1

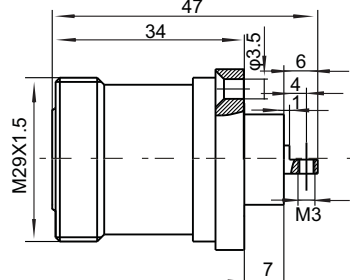


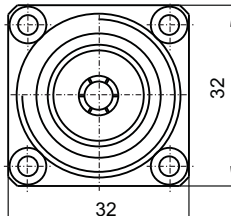
安装开孔尺寸






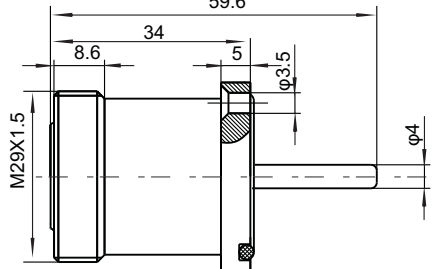
L29-50KFD5-47



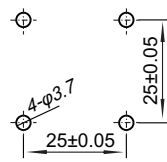





L29-50KFD7



安装开孔





L29-50KYFD

